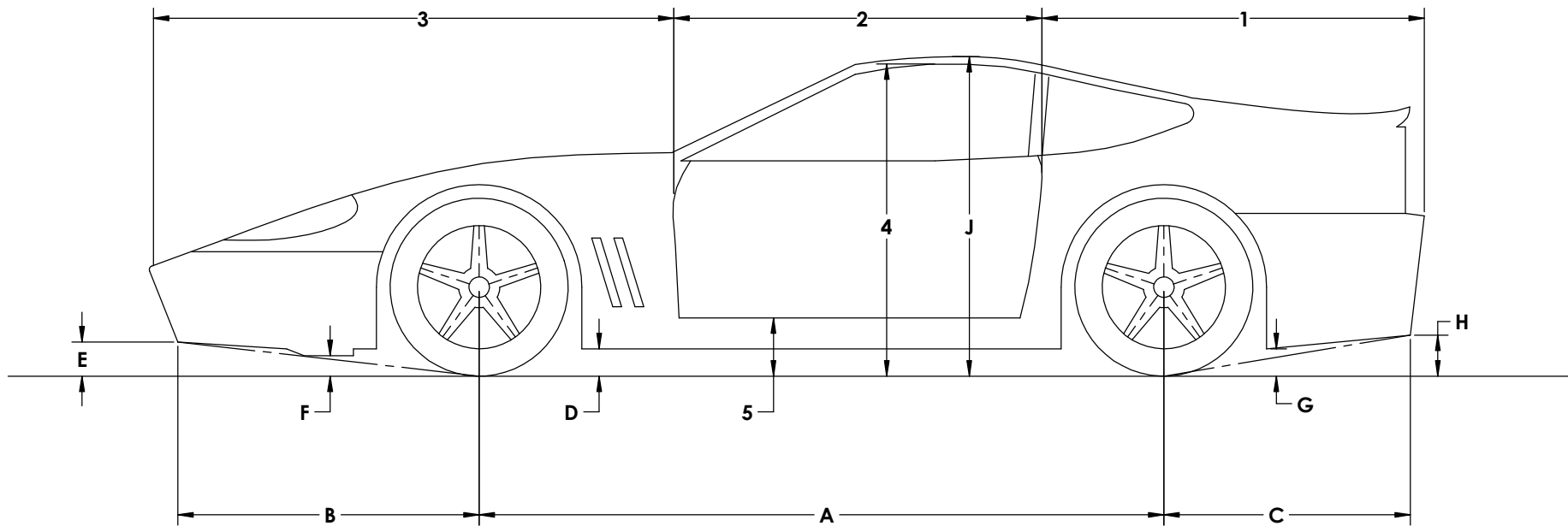


CAR CLEARANCE DIMENSIONS

- A. WHEEL BASE _____
- B. FRONT OVERHANG _____
- C. REAR OVERHANG _____
- D. BOTTOM OF VEHICLE TO FLOOR _____
- E. NOSE TIP GROUND CLEARANCE _____
- F. AIR SPOILER GROUND CLEARANCE (IF APPLY'S) _____
- G. REAR GROUND CLEARANCE _____
- H. REAR TIP GROUND CLEARANCE _____
- J. OVERALL HEIGHT OF VEHICLE _____

ESCAPE DOOR DIMENSIONS

- 1. BACK OF DOOR TO BACK OF VEHICLE _____
- 2. LENGTH OF DOOR _____
- 3. FRONT OF DOOR TO FRONT OF VEHICLE _____
- 4. TOP OF DOOR TO FLOOR _____
- 5. BOTTOM OF DOOR TO THE FLOOR _____



VEHICLE:
 MAKE _____
 MODEL _____
 YEAR _____
 SUB MODEL (IF APPLICABLE) _____

ALL LOCATIONS ARE NOMINAL UNLESS CRITICAL DIMENSIONS ARE SPECIFICALLY NOTED

PROPRIETARY AND CONFIDENTIAL:
 THE INFORMATION CONTAINED IN THIS DRAWING IS THE SOLE PROPERTY OF THE ALUMINUM TRAILER COMPANY. ANY REPRODUCTION IN PART OR AS A WHOLE WITHOUT THE WRITTEN PERMISSION OF THE ALUMINUM TRAILER COMPANY IS PROHIBITED.



TITLE:			
DRAWN BY: TEH	DATE: 2/12/12	VIN/PART #	REV.
FILE NAME:			
SCALE:1:12	DATE PRINTED: 4/9/2015	SHEET 1 OF 1	